



# MASON INDUSTRIES, Inc.

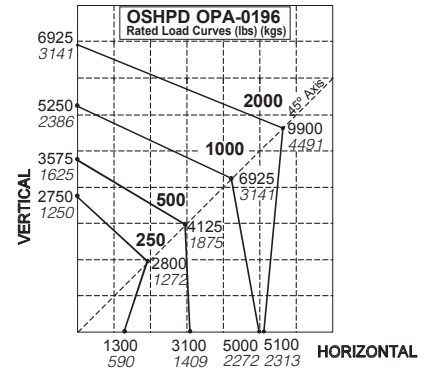
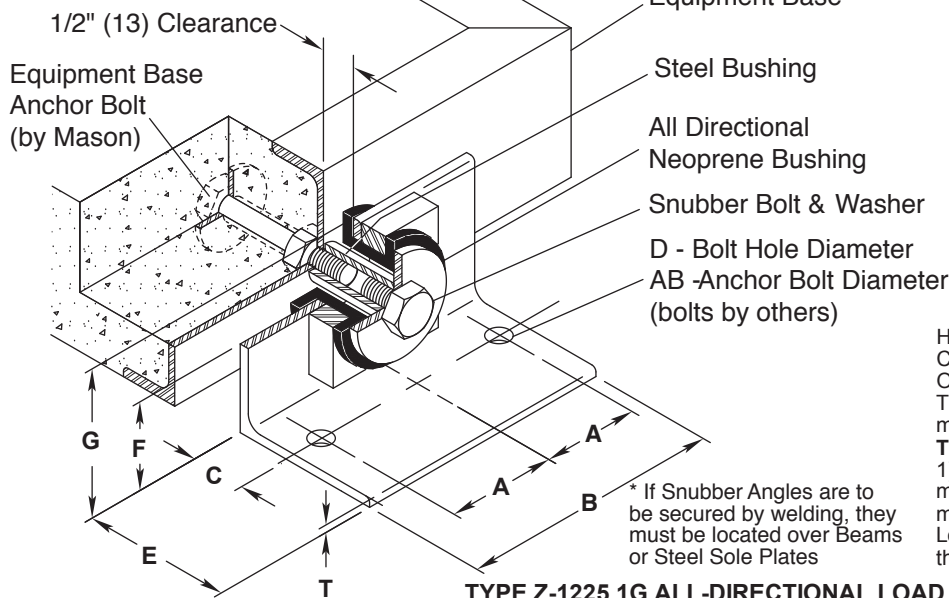
Manufacturers of Vibration Control Products  
 350 Rabro Drive 2101 W. Crescent Ave., Suite D  
 Hauppauge, NY 11788 Anaheim, CA 92801  
 631/348-0282 714/535-2727  
 FAX 631/348-0279 FAX 714/535-5738  
 Info@Mason-Ind.com Info@MasonAnaheim.com  
 www.Mason-Ind.com

JOB NAME \_\_\_\_\_  
 CUSTOMER \_\_\_\_\_  
 CUSTOMER P.O. \_\_\_\_\_  
 MASON M.I. \_\_\_\_\_  
 DWG. NO. \_\_\_\_\_

# Z-1225

All Directional  
 Seismic Snubber  
 Sizes 250-2000

## Z-1225 - 250 thru 2000



Horizontal, Vertical and 45° plotted Ratings are California OSHPD approved values having the OSHPD Anchorage Preapproval No. OPA-0196. Testing and calculations were performed to meet OSHPD criteria.

**To use approved OSHPD rated load curves:**

- 1) Calculate Vertical & Horizontal Forces on mounting including translations and overturning moments.
- 2) Plot Horizontal Load vs Vertical Load. The point must fall within the area below the OSHPD curve.

\* If Snubber Angles are to be secured by welding, they must be located over Beams or Steel Sole Plates

### TYPE Z-1225 1G ALL-DIRECTIONAL LOAD RATINGS and DIMENSIONS



**U.S.A. or British**  
 (lbs. & Inches)

**Metric**  
 (kgs. & mm)

Size	1G All Directional Load Ratings										Equipment Base Anchor Bolt Size & Length
	A	AB	B	C	D	E	F	G	T		
250	2	1/2	5	1 1/2	5/8	3	2 1/8	3 1/2	1/4	1/2" - 13UNC - 4"	
500	2 3/4	1/2	7	2	5/8	4	2 3/8	4	1/4	5/8" - 11UNC - 6"	
1000	3	5/8	8	2 1/2	3/4	5	2 1/2	5	3/8	3/4" - 10UNC - 6"	
2000	5	3/4	12	3	7/8	6	3	6	1/2	3/4" - 10UNC - 6"	
250	51	13	127	38	16	76	54	89	6	1/2" - 13UNC - 4"	
500	70	13	178	51	16	102	60	102	6	5/8" - 11UNC - 6"	
1000	76	16	203	64	19	127	64	127	10	3/4" - 10UNC - 6"	
2000	127	19	305	76	22	152	76	152	13	3/4" - 10UNC - 6"	

**NOTES:**

1. Neoprene Bushings are 1/4" (6mm) thick throughout.
2. Operating clearances are 1/4" (6mm).
3. Set Base Anchors to protrude 3/4" (19mm) from face to face.
4. A continuous rod, threaded on each end and protruding 3/4" (19mm) from both the faces of the base may be used to secure the threaded steel bushings in lieu of the individual Base Anchor Bolts.
5. Normal clearance between base & floor is 1" (25mm).
6. Distance from Base Anchor Bolt centerline to bottom of base is F minus 1".
7. When 2" clearance between base and floor is specified, use 1" spacer plate under snubber angle.
8. Earthquake restraining angles are to be installed after equipment is in operation to assure design clearances are maintained as follows:
  - a. Remove snubber bolt and washer.
  - b. Screw steel bushing on Base Anchor Bolt protrusion.
  - c. Pass Restraining Angle over steel bushing so it is centered horizontally.
  - d. Raise or lower base with spring adjustments or shim Restraining Angle so steel bushing is centered vertically.
  - e. Set Restraining Angle so inside vertical face is 1/2" (13mm) clear of base and parallel to it.
  - \* f. Mark and set AB anchor bolts or weld angle in position.
  - g. Replace snubber bolt and washer and tighten in position.

TYPE	QTY.	TAG



# MASON INDUSTRIES, Inc.

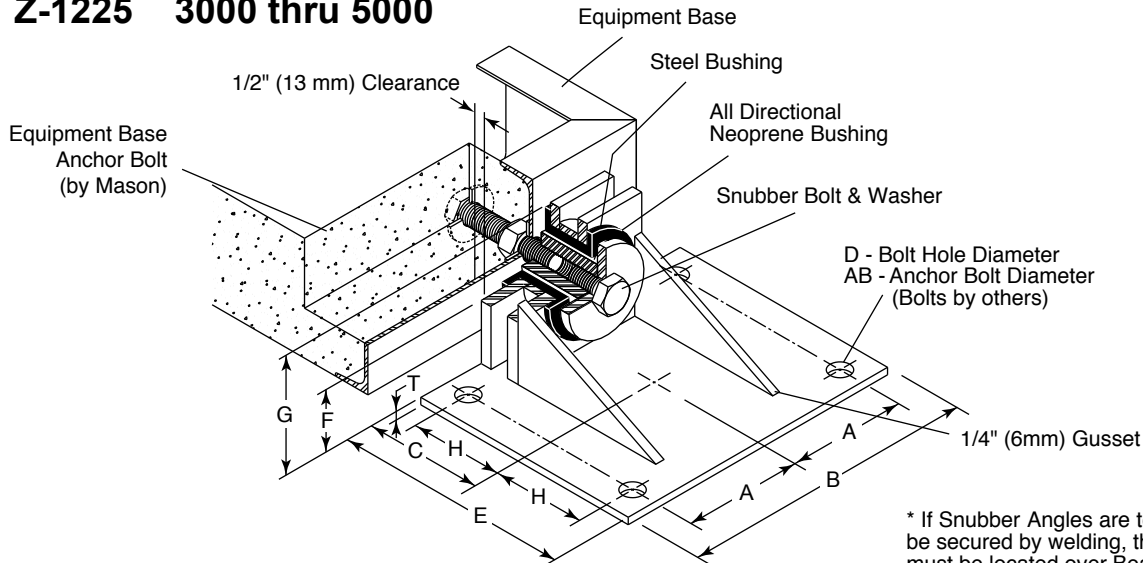
Manufacturers of Vibration Control Products  
 350 Rabro Drive 2101 W. Crescent Ave., Suite D  
 Hauppauge, NY 11788 Anaheim, CA 92801  
 631/348-0282 714/535-2727  
 FAX 631/348-0279 FAX 714/535-5738  
 Info@Mason-Ind.com Info@MasonAnaheim.com  
 www.Mason-Ind.com

JOB NAME \_\_\_\_\_  
 CUSTOMER \_\_\_\_\_  
 CUSTOMER P.O. \_\_\_\_\_  
 MASON M.I. \_\_\_\_\_  
 DWG. NO. \_\_\_\_\_

# Z-1225

All Directional  
 Seismic Snubber  
 Sizes 3000-5000

## Z-1225 3000 thru 5000



\* If Snubber Angles are to be secured by welding, they must be located over Beams or Steel Sole Plates

### TYPE Z-1225 1G ALL-DIRECTIONAL LOAD RATINGS and DIMENSIONS

	1G All Directional Size	Load Ratings	Dimensions										Equipment Base Anchor Bolt Size & Length
			A	AB	B	C	D	E	F	G	H	T	
<b>U.S.A. or British</b> (lbs. & Inches)	3000	3000 lbs	4 3/4	3/4	12	5	7/8	10	3 1/4	6 3/8	3 3/4	3/8	7/8" - 9UNC - 6"
	5000	5000 lbs	6	1	15	6	1 1/8	12	3 1/2	6 3/8	4 3/4	3/8	1" - 8UNC - 6"
<b>Metric</b> (kgs. & mm)	3000	1361 kgs	121	19	305	127	22	254	83	162	95	10	7/8" - 9UNC - 6"
	5000	2268 kgs	152	25	381	152	29	305	89	162	121	10	1" - 8UNC - 6"

**NOTES:**

- Neoprene Bushings are 1/4" (6mm) thick throughout.
- Operating clearances are 1/4" (6mm).
- Set Base Anchors to protrude 3/4" (19mm) from face to face.
- A continuous rod, threaded on each end and protruding 3/4" (19mm) from both the faces of the base may be used to secure the threaded steel bushings in lieu of the individual Base Anchor Bolts.
- Normal clearance between base & floor is 1" (25mm).
- Distance from Base Anchor Bolt centerline to bottom of base is F minus 1".
- When 2" clearance between base and floor is specified, use 1" spacer plate under snubber angle.
- Earthquake restraining angles are to be installed after equipment is in operation to assure design clearances are maintained as follows:
  - Remove snubber bolt and washer.
  - Screw steel bushing on Base Anchor Bolt protrusion.
- Pass Restraining Angle over steel bushing so it is centered horizontally.
- Raise or lower base with spring adjustments or shim Restraining Angle so steel bushing is centered vertically.
- Set Restraining Angle so inside vertical face is 1/2" (13mm) clear of base and parallel to it.
- Mark and set AB anchor bolts or weld angle in position.
- Replace snubber bolt and washer and tighten in position.

TYPE	QTY.	TAG