



MASON INDUSTRIES, Inc.

Manufacturers of Vibration Control Products

350 Rabro Drive 2101 W. Crescent Ave., Suite D
Hauppauge, NY 11788 Anaheim, CA 92801
631/348-0282 714/535-2727
FAX 631/348-0279 FAX 714/535-5738
Info@Mason-Ind.com Info@MasonAnaheim.com

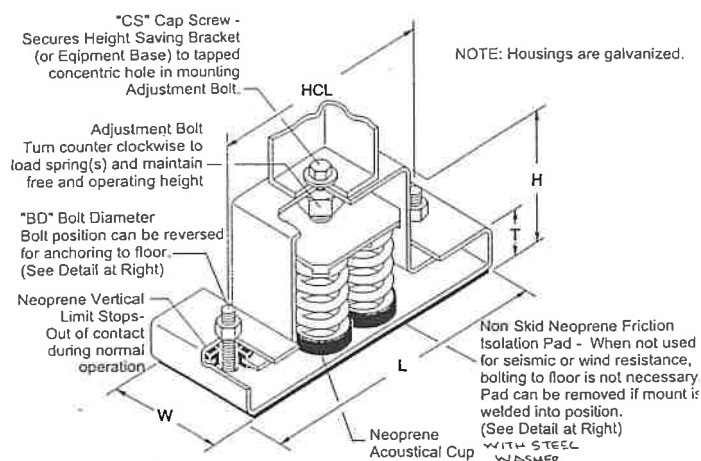
1" (25mm) SLRA AND SLRWA SPRING MOUNT INSTALLATION INSTRUCTIONS

DATE: 6-21-2001

DRAWING NO.

NOTE: SUPPORTING SURFACES MUST BE FLAT AND LEVEL UNDER MOUNTS. SLRWA MOUNTS ARE NOT TO BE USED FOR SEISMIC OR WIND RESISTANCE APPLICATIONS.

1. IF ISOLATORS ARE INSTALLED INDOORS IN NON SEISMIC AREAS THERE IS NO NEED TO BOLT THEM DOWN AS THE FRICTION PAD ON THE BOTTOM WILL KEEP THEM IN PLACE.
2. IN SEISMIC OR WIND RESISTANT APPLICATIONS REMOVE THE TWO END BOLTS. REVERSE THEM AND USE THEM TO BOLT TO INSERTS IN THE FLOOR OR HOLES IN STEEL. IF THEY ARE TOO SHORT, REPLACE THEM WITH LONGER ONES.
3. REMOVE THE CAPSCREW AND WASHER. PLACE EQUIPMENT ON MOUNTINGS AND REINSTALL THE CAPSCREW AND WASHER LEAVING A 1/8" (3mm) CLEARANCE UNDER THE HEAD OF THE CAPSCREW. FOR SLRWA MOUNTINGS PLACE EQUIPMENT ON THE MOUNTINGS.
4. MOUNTINGS ARE SLIGHTLY PRECOMPRESSED. WHEN EQUIPMENT WEIGHT IS ON THE MOUNTINGS, THE INSIDE HOUSING WILL REST ON THE BOTTOM.
5. TAKE 2 FULL COUNTERCLOCKWISE TURNS ON EACH ADJUSTING BOLT AND CONTINUE TO DO SO UNTIL THERE IS A CLEARANCE OF 1/2" (13mm) BETWEEN THE INSIDE OF THE BASE AND THE BOTTOM OF THE INTERIOR STEEL ON ONE MOUNT. IT IS VERY IMPORTANT THAT THE MOUNTS BE ADJUSTED UNIFORMLY.
6. CONTINUE TAKING 2 FULL TURNS ON THE OTHER MOUNTS UNTIL EACH HAS THE 1/2" (13mm) CLEARANCE. STOP ADJUSTING ANY MOUNT WHEN YOU HAVE THIS CLEARANCE.
7. AN ADDITIONAL 1/4" (6mm) OF ADJUSTMENT MAY BE TAKEN AT THE LOW CORNER OR SIDE TO LEVEL EQUIPMENT.
8. FOR SLRA MOUNTS, TIGHTEN CAPSCREWS TO LOCK ADJUSTMENT.



DWN: JT

CHKD:

DATE: 6-21-2001