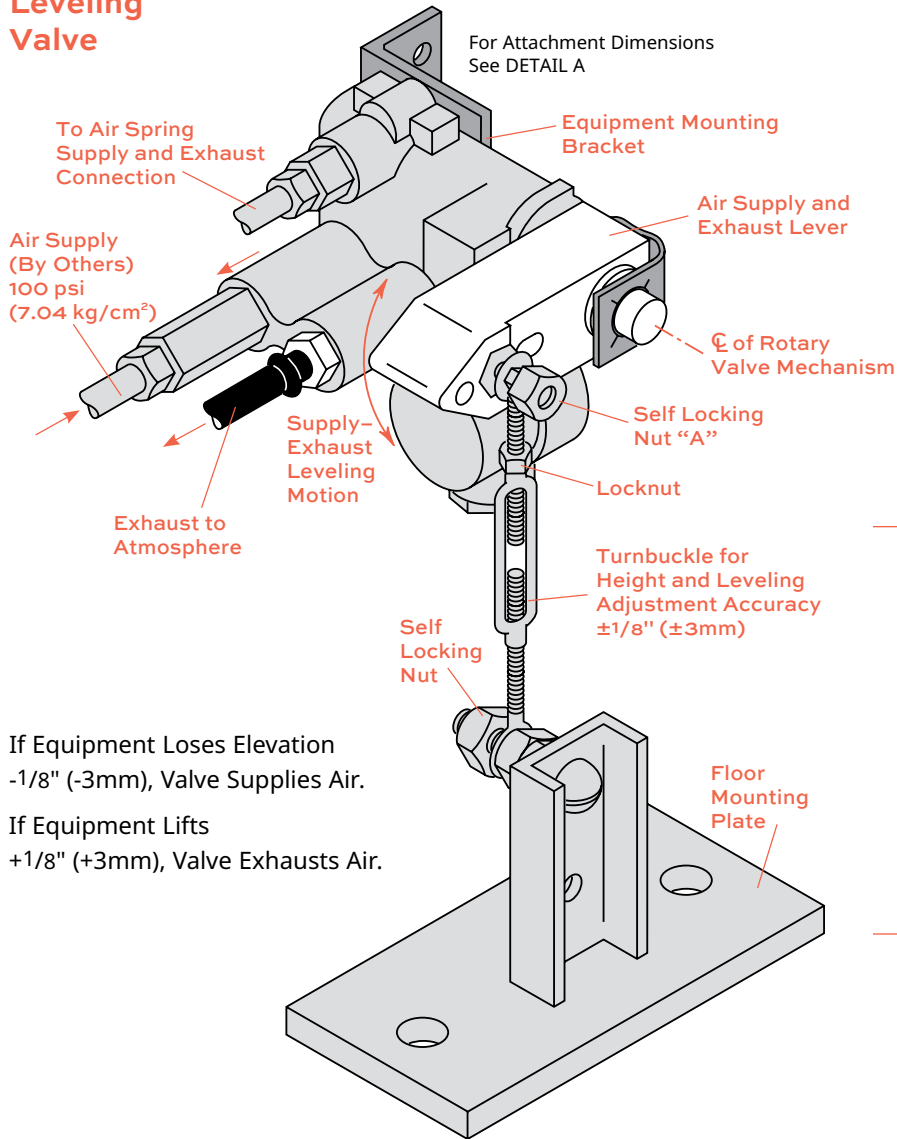


AIR SPRING LEVELING VALVE ASSEMBLIES

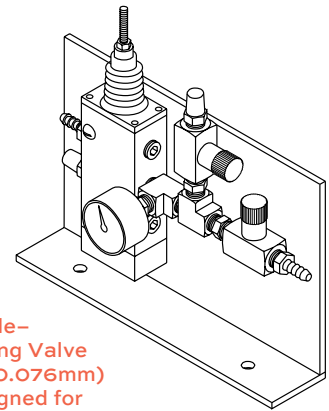
LEVELING VALVES

Leveling Valve



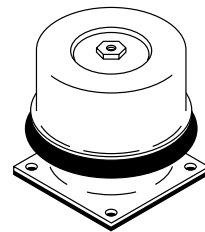
If Equipment Loses Elevation -1/8" (-3mm), Valve Supplies Air.

If Equipment Lifts +1/8" (+3mm), Valve Exhausts Air.

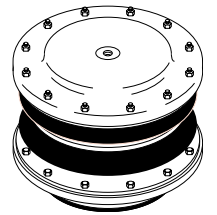


Also available—Micro Leveling Valve $\pm 0.003"$ ($\pm 0.076\text{mm}$) custom designed for sensitive applications.

TYPICAL AIR SPRINGS



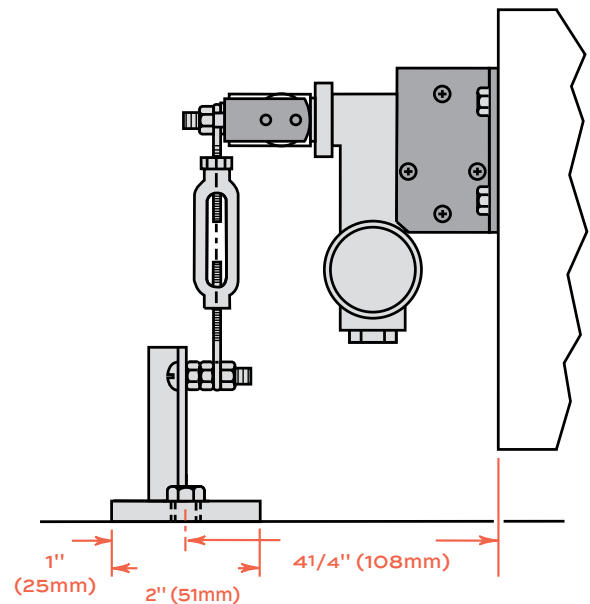
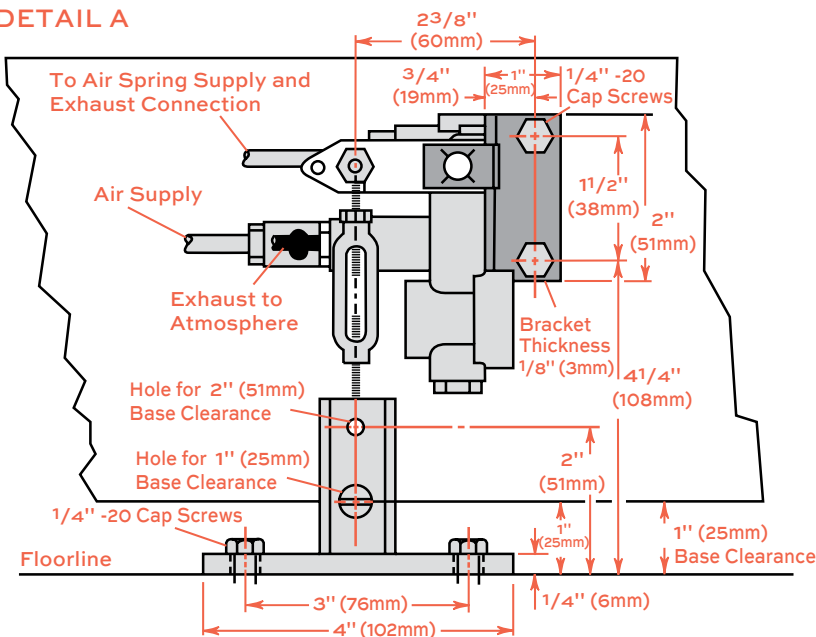
MAS
Rolling Lobe
Air Spring



MT
Twin Sphere
Air Spring

All Air Springs should be installed with Air Spring Leveling Valves.

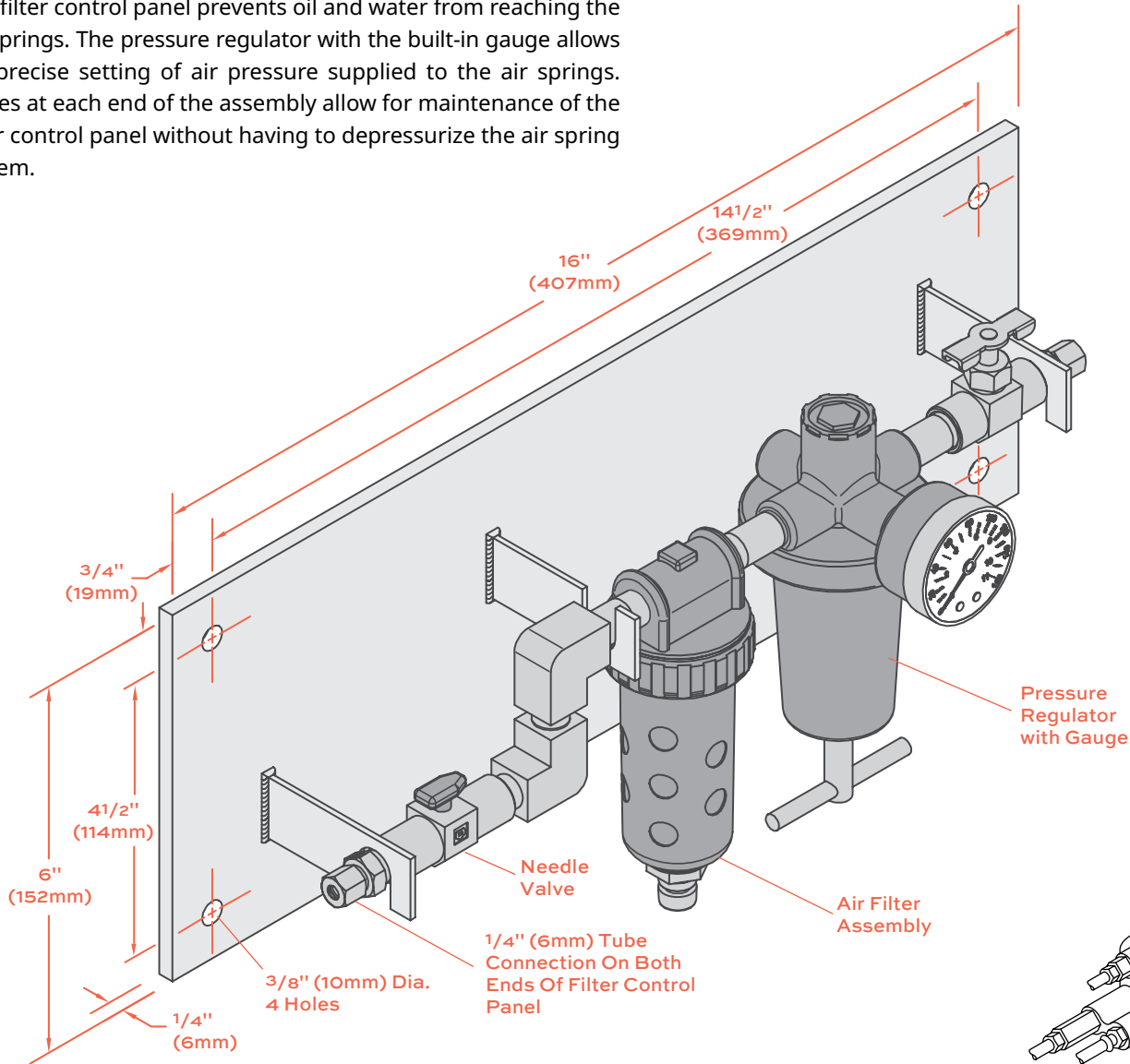
DETAIL A



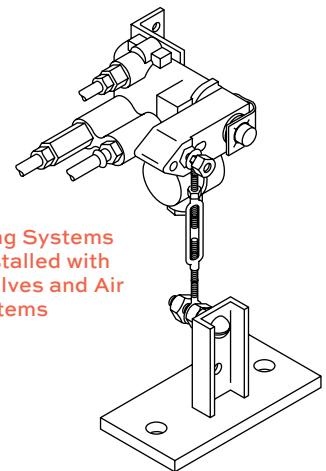
FILTER CONTROL PANELS

FCP-206

The filter control panel prevents oil and water from reaching the air springs. The pressure regulator with the built-in gauge allows for precise setting of air pressure supplied to the air springs. Valves at each end of the assembly allow for maintenance of the filter control panel without having to depressurize the air spring system.



All Air Spring Systems Must Be installed with Leveling Valves and Air Supply Systems



See Data Sheet DS-206 page 5*51 for additional information.