

MERCER DUCT CONNECTORS

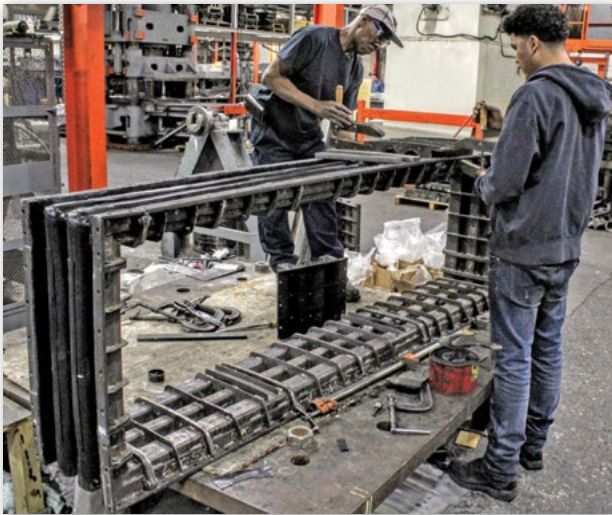
Duct Connectors are Used in Duct Systems to Reduce Vibration Transmission and Accommodate Expansion or Contraction. In Seismic Zones, They Accommodate Differential Motion.

CONSTRUCTION FEATURES

- Covers and tubes may be EPDM, Neoprene, Hypalon®, Butyl, Nitrile, Viton®, Natural Rubber, etc. as best suits the service
- Reinforcement fabrics are normally Nylon, Polyester or Kevlar® for high temperature
- Sizes up to 154" in diameter, 154" square and 36" face to face. Smaller sizes in greater length.
- Carbon or stainless steel backup rings
- Excellent flexibility
- Exterior coat of Hypalon® paint provides additional protection against ozone weathering and chemical exposure
- All Duct Connectors are pressure cured in a steam chamber for structurally sound, long service life



**INTERNAL FLOWING ARCH,
SQUARE OR RECTANGULAR
DUCT CONNECTOR**



Building an ME-2 2 Arch Rectangular Duct Connector in the Mercer Plant. All steel forms are made by Mercer to your requirements.



**EXTERNAL SINGLE OR MULTIPLE ARCH
ROUND, SQUARE OR RECTANGULAR
DUCT CONNECTOR**

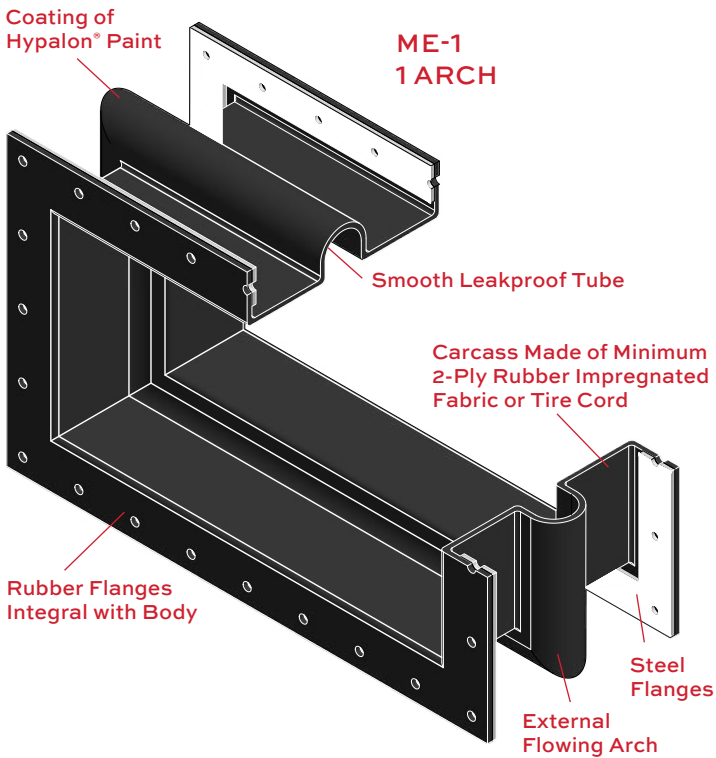
ME-2, 2 Arch
Rectangular Duct
Connector
installed.



Rectangular Duct Connectors

EXTERNAL FLOWING ARCH

ME-1, 1 ARCH;
ME-2, 2 ARCH;
& ME-3, 3 ARCH

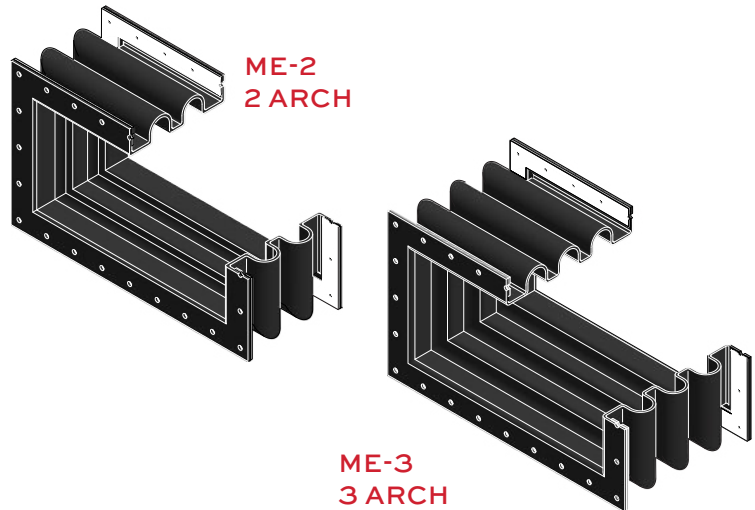


MOVEMENTS

Type	Compression (in)	Extension (in)	Lateral (in)
ME-1	2 1/2	1 3/4	2
ME-2	5	3 1/2	4
ME-3	7 1/2	5 1/4	6

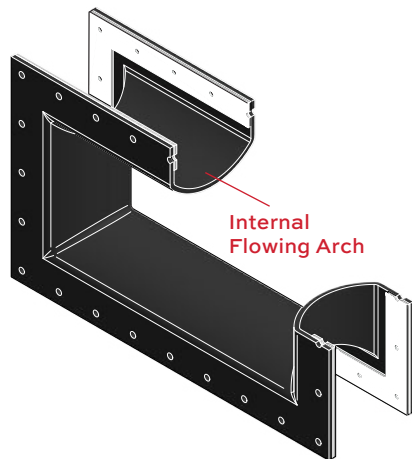
FEATURES

- External Flowing Arch
- Rated for Seismic Movement
- Available in Multiple Arch



INTERNAL FLOWING ARCH

MD-4



MOVEMENTS

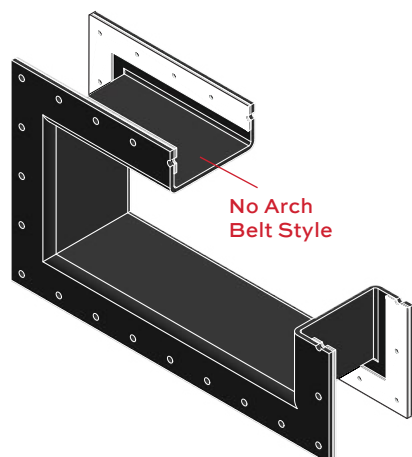
Type	Compression (in)	Extension (in)	Lateral (in)
MD-4	1	1/2	1/2

FEATURES

- Internal Flowing Rectangular and Square Arch
- Flanged up to 4" Flange Height
- Custom Drilled

NO ARCH

MN-4



MOVEMENTS

Type	Compression (in)	Extension (in)	Lateral (in)
MN-4	1/2	1/4	1/4

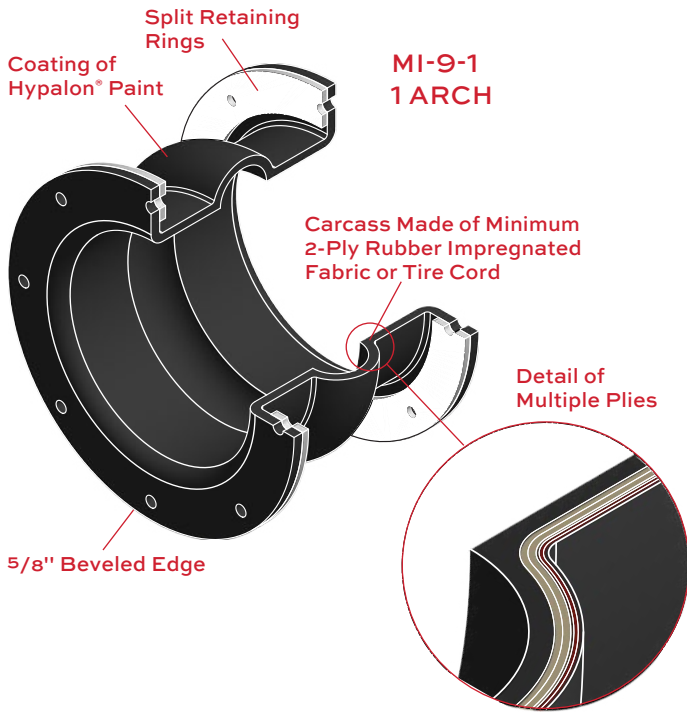
FEATURES

- No Arch Belt Style
- Flanged up to 4" Flange Height
- Custom Drilled
- Rated to Absorb Vibration

Round Duct Connectors

EXTERNAL FLOWING ARCH

MI-9-1, 1 ARCH; MI-9-2, 2 ARCH;
& MI-9-3, 3 ARCH

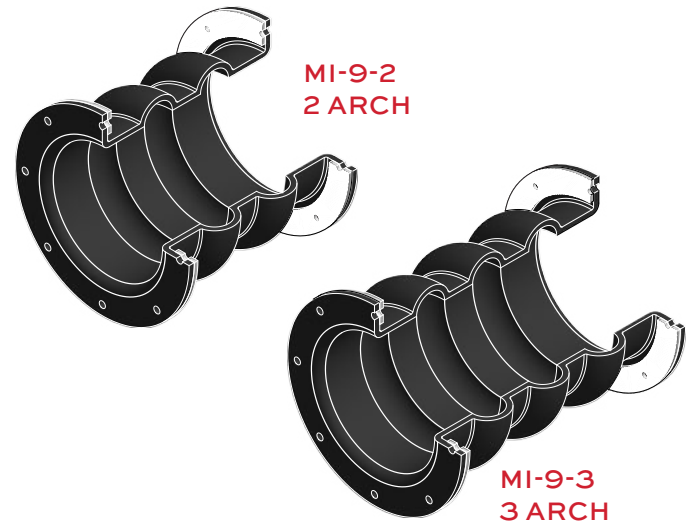


MOVEMENTS

Type	Compression (in)	Extension (in)	Lateral (in)
MI-9-1	13/4	1	1
MI-9-2	31/2	2	2
MI-9-3	51/4	3	3

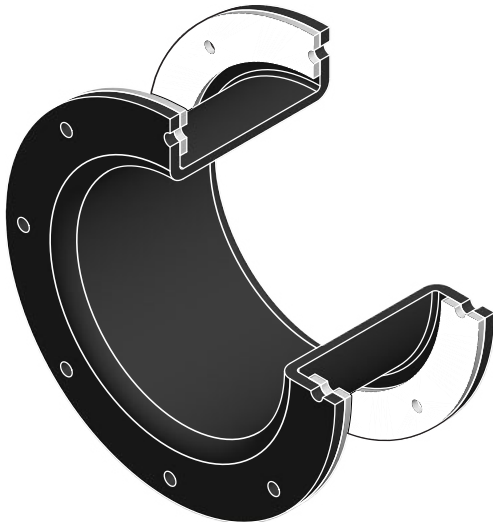
FEATURES

- Single Unfilled Arch
- Available in Multiple Arches to Accommodate More Movement
- Flanged to Match Your Drilling Including NBS and 150#
- Sizes up to 154" Diameter



NO ARCH

MC-3



MOVEMENTS

Type	Compression (in)	Extension (in)	Lateral (in)
MC-3	3/4	0	1/4

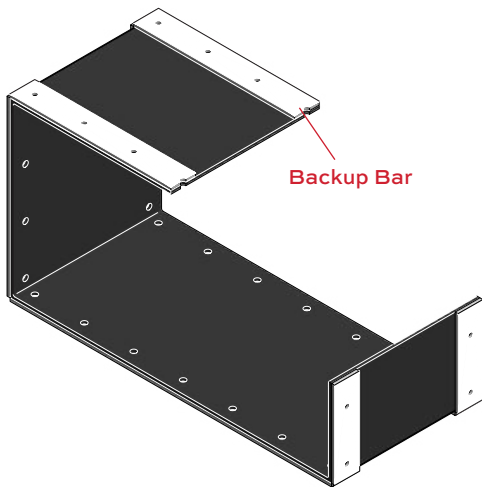
FEATURES

- No Arch
- Flanged to Match Your Drilling Including NBS and 150#
- Sizes up to 154" Diameter

Rectangular and Round Sleeve Duct Connectors

RECTANGULAR NO ARCH

MS-4



MOVEMENTS

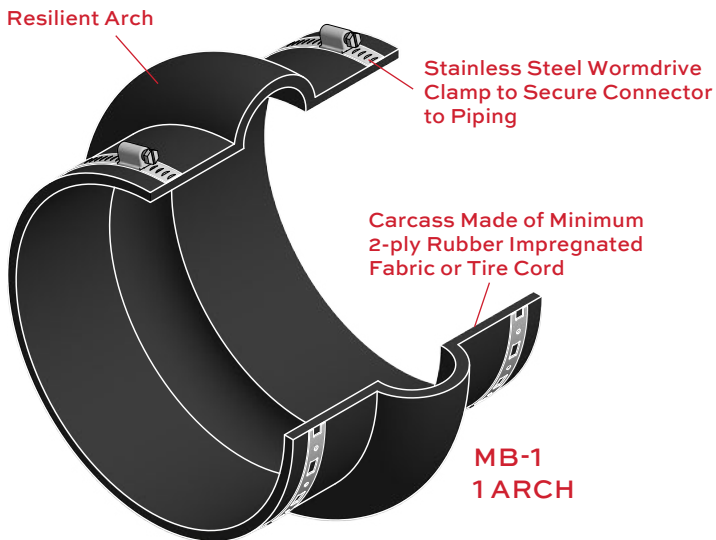
Type	Compression (in)	Extension (in)	Lateral (in)
MS-4	1/2	1/4	1/4

FEATURES

- No Arch

EXTERNAL FLOWING ARCH

MB-1, 1 ARCH; MB-2, 2 ARCH; & MB-3, 3 ARCH

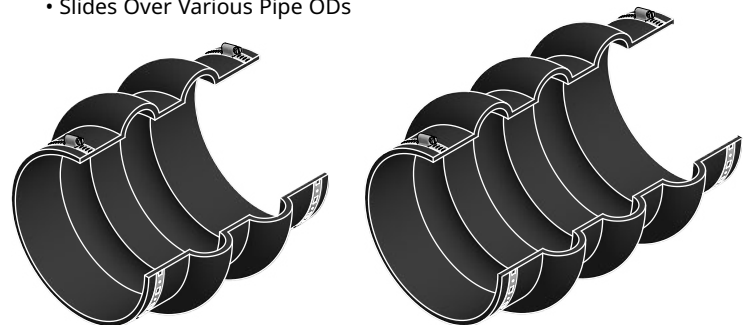


MOVEMENTS

Type	Compression (in)	Extension (in)	Lateral (in)
MB-1	1 3/4	1	1
MB-2	3 1/2	2	2
MB-3	5 1/4	3	3

FEATURES

- External Flowing Arch
- Rated for Seismic Movement
- Available in Multiple Arch
- Slides Over Various Pipe ODs

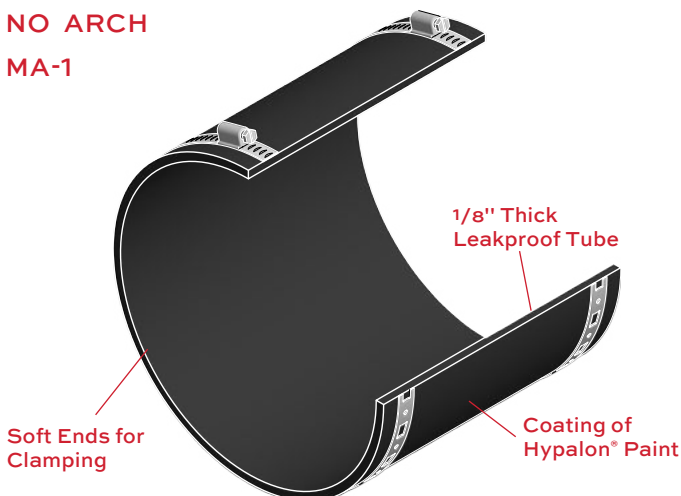


MB-2
2 ARCH

MB-3
3 ARCH

NO ARCH

MA-1



MOVEMENTS

Type	Compression (in)	Extension (in)	Lateral (in)
MA-1	1/2	1/4	1/4

FEATURES

- No Arch Sleeve
- Slides Over Various Pipe ODs