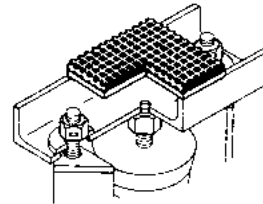
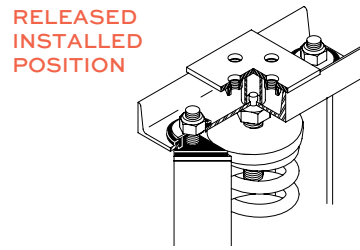
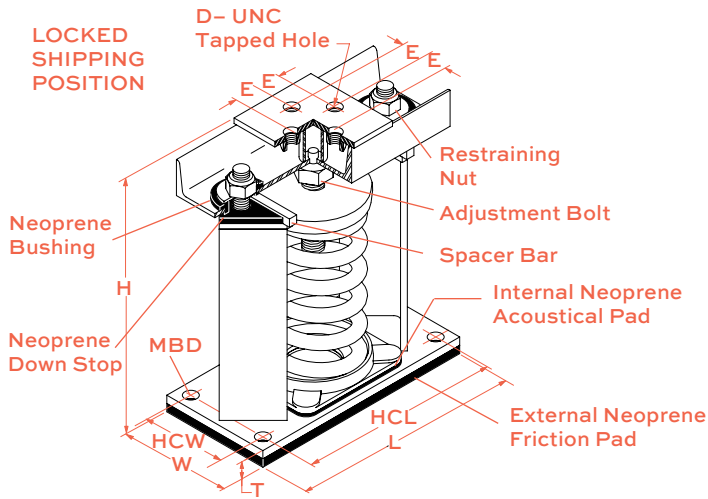


SLR100 Deflection A Spring Series
SINGLE SPRING WELDED RESTRAINED MOUNTS



Also available as **SLRW** with 1/4" (6mm) Waffle Pad on top. Do not use for seismic or wind load applications.

Type 2" (51mm) Deflection 100 Spring Series

TYPE SLR100 DIMENSIONS

Type & Size	L (in) (mm)		W (in) (mm)		H (in) (mm)		T (in) (mm)		MBD (in) (mm)		HCW (in) (mm)		HCL (in) (mm)		D (in) (mm)		E (in) (mm)	
SLR-101	9	229	4 1/2	114	10 1/4	260	1/2	13	1/2	13	3 1/4	83	7 3/4	197	1/2	13	1 1/8	29
SLR-102	9	229	4 1/2	114	10 1/4	260	1/2	13	1/2	13	3 1/4	83	7 3/4	197	1/2	13	1 1/8	29
SLR-103	9	229	4 1/2	114	10 1/4	260	1/2	13	1/2	13	3 1/4	83	7 3/4	197	1/2	13	1 1/8	29
SLR-104	9	229	4 1/2	114	10 1/4	260	1/2	13	1/2	13	3 1/4	83	7 3/4	197	1/2	13	1 1/8	29
SLR-105	9	229	4 1/2	114	10 1/4	260	1/2	13	1/2	13	3 1/4	83	7 3/4	197	1/2	13	1 1/8	29
SLR-106	9	229	4 1/2	114	10 1/4	260	1/2	13	1/2	13	3 1/4	83	7 3/4	197	1/2	13	1 1/8	29
SLR-107	9	229	4 1/2	114	10 1/4	260	1/2	13	1/2	13	3 1/4	83	7 3/4	197	1/2	13	1 1/8	29
SLR-108	9 3/4	248	5	127	11 1/2	292	1/2	13	1/2	13	3 3/4	95	8 1/4	210	5/8	16	1 1/8	29
SLR-109	9 3/4	248	5	127	11 1/2	292	1/2	13	1/2	13	3 3/4	95	8 1/4	210	5/8	16	1 1/8	29
SLR-110	11 1/2	292	5 1/2	140	12	305	5/8	16	1/2	13	3 1/2	89	10	254	5/8	16	1 1/8	29
SLR-111	11 1/2	292	5 1/2	140	12	305	5/8	16	1/2	13	3 1/2	89	10	254	5/8	16	1 1/8	29
SLR-112	11 1/2	292	7	178	13 7/8	352	5/8	16	5/8	16	4 1/2	114	9 1/2	241	5/8	16	1 1/4	32
SLR-113	11 1/2	292	7	178	13 7/8	352	5/8	16	5/8	16	4 1/2	114	9 1/2	241	5/8	16	1 1/4	32
SLR-114	14	356	8	203	15	381	5/8	16	5/8	16	4 1/2	114	11 3/4	298	3/4	19	1 3/8	35
SLR-115	14	356	8	203	15	381	5/8	16	5/8	16	4 1/2	114	11 3/4	298	3/4	19	1 3/8	35
SLR-116	16 1/2	419	9	229	16 3/4	425	3/4	19	7/8	22	5 1/2	140	14 1/2	368	7/8	22	1 1/2	38
SLR-117	19 1/2	495	10	254	20	508	1	25	1	25	7	178	17	432	1	25	1 3/4	44
SLR-118	19 1/2	495	10	254	20	508	1	25	1	25	7	178	17	432	1	25	1 3/4	44

TYPE SLR100 RATINGS

Type & Size	Rated Capacity (lb) (kg)		Rated Defl. (in) (mm)		Spring Constant (lb/in) (kg/mm)		Max. Horiz. Static G Rating	Spring Color
SLR-101	125	57	2.50	64	50	0.89	5.6	Purple
SLR-102	200	91	2.50	64	80	1.42	3.5	Brown
SLR-103	310	141	2.50	64	125	2.20	2.3	Pink
SLR-104	500	227	2.50	64	200	3.55	1.4	Green
SLR-105	740	336	2.40	61	310	5.51	0.9	Red
SLR-106	1050	476	2.10	53	500	8.98	0.7	White
SLR-107	1400	635	2.00	51	700	12.45	0.5	Blue
SLR-108	1660	753	2.05	52	810	14.48	1.0	Silver
SLR-109	2250	1021	2.00	51	1125	20.02	0.7	Orange
SLR-110	3000	1361	2.00	51	1500	26.69	1.3	Gray
SLR-111	4000	1814	2.00	51	2000	35.57	1.0	Tan
SLR-112	5300	2404	2.00	51	2665	47.14	0.6	Black
SLR-113	7100	3221	2.00	51	3550	63.16	0.5	Yellow
SLR-114	9300	4218	2.00	51	4650	82.71	0.5	Blue/Orange
SLR-115	12600	5715	2.00	51	6300	112.06	0.4	Blue/Red
SLR-116	16800	7620	2.00	51	8400	149.41	0.4	Blue/White
SLR-117	28500	12927	2.55	65	11175	198.88	0.4	Blue/Silver
SLR-118	40000	18144	2.10	53	19000	342.34	0.4	Blue/Gray

SPRING ONLY

Spring Size	Spring OD (in) (mm)		Free Height (in) (mm)	
101	3 3/4	95	5 3/4	146
102	3 3/4	95	5 3/4	146
103	3 3/4	95	5 3/4	146
104	3 3/4	95	5 3/4	146
105	3 3/4	95	5 3/4	146
106	3 3/4	95	5 7/8	149
107	3 3/4	95	5 7/8	149
108	4 1/2	114	6 3/4	171
109	4 1/2	114	7 1/2	191
110	5	127	7 1/2	191
111	5	127	7 1/2	191
112	5 1/2	140	8 1/2	216
113	6	152	8 3/4	222
114	6 3/4	171	10	254
115	6 3/4	171	10	254
116	7 3/4	197	10 1/8	257
117	8 3/4	222	13 1/8	333
118	9 3/8	238	13 1/8	333

All springs have additional travel to solid equal to 50% of the Rated Deflection.

Solid Spring Height = Free Height minus 1.5 times Rated Deflection.

OD/OH = Ratio of Spring Outside Diameter to Operating Height = 0.82-1.15



Type 3" (76mm) Deflection 100 Spring Series

TYPE SLR100 DIMENSIONS

Type & Size	L (in) (mm)		W (in) (mm)		H (in) (mm)		T (in) (mm)		MBD (in) (mm)		HCW (in) (mm)		HCL (in) (mm)		D (in) (mm)		E (in) (mm)	
SLR-126	9	229	41/2	114	101/4	260	3/8	10	1/2	13	31/4	83	73/4	197	1/2	13	11/8	29
SLR-127	9	229	41/2	114	101/4	260	3/8	10	1/2	13	31/4	83	73/4	197	1/2	13	11/8	29
SLR-128	9	229	41/2	114	101/4	260	3/8	10	1/2	13	31/4	83	73/4	197	1/2	13	11/8	29
SLR-129	93/4	248	5	127	111/2	292	3/8	10	1/2	13	33/4	95	81/4	210	5/8	16	11/8	29
SLR-130	93/4	248	5	127	111/2	292	3/8	10	1/2	13	33/4	95	81/4	210	5/8	16	11/8	29
SLR-131	93/4	248	5	127	111/2	292	3/8	10	1/2	13	33/4	95	81/4	210	5/8	16	11/8	29
SLR-132	111/2	292	51/2	140	12	305	1/2	13	1/2	13	31/2	89	10	254	5/8	16	11/8	29
SLR-133	111/2	292	7	178	137/8	352	1/2	13	5/8	16	41/2	114	91/2	241	5/8	16	11/4	32
SLR-134	111/2	292	7	178	137/8	352	1/2	13	5/8	16	41/2	114	91/2	241	5/8	16	11/4	32
SLR-135	111/2	292	7	178	137/8	352	1/2	13	5/8	16	41/2	114	91/2	241	5/8	16	11/4	32
SLR-136	14	356	8	203	15	381	1/2	13	5/8	16	41/2	114	113/4	298	3/4	19	13/8	35
SLR-137	151/4	384	9	229	157/8	403	1/2	13	3/4	19	6	152	13	330	7/8	22	15/8	41
SLR-138	151/4	384	9	229	157/8	403	1/2	13	3/4	19	6	152	13	330	7/8	22	15/8	41
SLR-139	151/4	384	9	229	171/8	435	1/2	13	3/4	19	6	152	13	330	7/8	22	15/8	41
SLR-140	173/4	451	10	254	20	508	5/8	16	7/8	22	7	178	15	381	1	25	2	51
SLR-141	201/4	514	10	254	21	533	5/8	16	1	25	8	203	17	432	1	25	2	51
SLR-142	21	533	11	279	213/4	552	5/8	16	1	25	83/4	222	173/4	451	1	25	2	51
SLR-143	22	559	12	305	227/8	581	5/8	16	1	25	10	254	183/4	476	1	25	2	51

TYPE SLR100 RATINGS

Type & Size	Rated Capacity (lb) (kg)		Rated Defl. (in) (mm)		Spring Constant (lb/in) (kg/mm)		Max. Horiz. Static G Rating	Spring Color
SLR-126	195	88	3.25	83	60	1.06	3.6	Purple
SLR-127	280	127	3.25	83	85	1.53	2.5	Brown
SLR-128	390	177	3.25	83	120	2.13	1.8	Orange
SLR-129	520	236	3.25	83	160	2.84	3.1	Green
SLR-130	710	322	3.25	83	220	3.88	2.3	Red
SLR-131	940	426	3.25	83	290	5.13	1.7	White
SLR-132	1280	581	3.25	83	395	7.00	3.1	Blue
SLR-133	1770	803	3.25	83	545	9.67	1.8	Black
SLR-134	2490	1129	3.25	83	765	13.60	1.3	Yellow
SLR-135	3300	1497	3.25	83	1000	18.04	1.0	Gray
SLR-136	4500	2041	3.25	83	1370	24.59	1.1	Blue/Brown
SLR-137	6200	2818	3.25	83	1900	33.88	1.1	Blue/Orange
SLR-138	8300	3765	3.25	83	2560	45.36	0.8	Blue/Red
SLR-139	11400	5171	3.25	83	3500	62.30	0.4	Blue/White
SLR-140	15200	6895	3.25	83	4685	83.07	0.5	Blue/Silver
SLR-141	20300	9208	3.25	83	6245	110.94	0.5	Blue/Gray
SLR-142	28400	12882	3.25	83	8750	155.20	0.5	Blue/Green
SLR-143	39000	17690	3.25	83	12000	213.13	0.5	Blue/Yellow

SPRING ONLY

Spring Size	Spring OD (in) (mm)		Free Height (in) (mm)	
126	33/4	95	63/8	162
127	33/4	95	61/2	165
128	4	102	61/2	165
129	4	102	7	178
130	41/2	114	71/4	184
131	41/2	114	71/2	191
132	5	127	77/8	200
133	51/2	140	91/4	235
134	51/2	140	91/4	235
135	6	152	91/2	241
136	63/4	171	93/4	248
137	73/4	197	107/8	276
138	73/4	197	11	279
139	73/4	197	121/4	311
140	83/4	222	123/4	324
141	91/2	241	131/2	343
142	101/4	260	15	381
143	11	279	161/8	410

All springs have additional travel to solid equal to 50% of the Rated Deflection.

Solid Spring Height = Free Height minus 1.5 times Rated Deflection.

OD/OH = Ratio of Spring Outside Diameter to Operating Height = 0.82-1.15

Type 4" (102mm) Deflection 100 Spring Series

TYPE SLR100 DIMENSIONS

Type & Size	L (in) (mm)		W (in) (mm)		H (in) (mm)		T (in) (mm)		MBD (in) (mm)		HCW (in) (mm)		HCL (in) (mm)		D (in) (mm)		E (in) (mm)	
SLR-150	11 1/2	292	5 1/2	140	12	305	1/2	13	1/2	13	3 1/2	89	10	254	5/8	16	11/8	29
SLR-151	11 1/2	292	5 1/2	140	12	305	1/2	13	1/2	13	3 1/2	89	10	254	5/8	16	11/8	29
SLR-152	11 1/2	292	5 1/2	140	12	305	1/2	13	1/2	13	3 1/2	89	10	254	5/8	16	11/8	29
SLR-153	11 1/2	292	5 1/2	140	12	305	1/2	13	1/2	13	3 1/2	89	10	254	5/8	16	11/8	29
SLR-154	11 1/2	292	7	178	13 7/8	352	1/2	13	5/8	16	4 1/2	114	9 1/2	241	5/8	16	11/4	32
SLR-155	11 1/2	292	7	178	13 7/8	352	1/2	13	5/8	16	4 1/2	114	9 1/2	241	5/8	16	11/4	32
SLR-156	14	356	8	203	15	381	1/2	13	5/8	16	4 1/2	114	11 3/4	298	3/4	19	13/8	35
SLR-157	14	356	8	203	15	381	1/2	13	5/8	16	4 1/2	114	11 3/4	298	3/4	19	13/8	35
SLR-158	14	356	8	203	15	381	1/2	13	5/8	16	4 1/2	114	11 3/4	298	3/4	19	13/8	35
SLR-159	15 1/4	384	9	229	15 7/8	403	1/2	13	3/4	19	6	152	13	330	7/8	22	15/8	41
SLR-160	15 1/4	384	9	229	17 1/8	435	1/2	13	3/4	19	6	152	13	330	7/8	22	15/8	41
SLR-161	15 1/4	384	9	229	17 1/8	435	1/2	13	3/4	19	6	152	13	330	7/8	22	15/8	41
SLR-162	17 3/4	451	10	254	20	508	5/8	16	7/8	22	7	178	15	381	1	25	2	51
SLR-163	17 3/4	451	10	254	20	508	5/8	16	7/8	22	7	178	15	381	1	25	2	51
SLR-164	17 3/4	451	10	254	20	508	5/8	16	7/8	22	7	178	15	381	1	25	2	51
SLR-165	20 1/4	514	10	254	21	533	5/8	16	1	25	8	203	17	432	1	25	2	51
SLR-166	22	559	11	279	22 1/4	565	3/4	19	1	25	8	203	18 3/4	476	1	25	2	51
SLR-167	22	559	11	279	22 1/4	565	3/4	19	1	25	8	203	18 3/4	476	1	25	2	51
SLR-168	23	584	12	305	25	635	3/4	19	1	25	9	229	19 3/4	502	1	25	2	51
SLR-169	23	584	12	305	25	635	3/4	19	1	25	9	229	19 3/4	502	1	25	2	51

See page 5-36 for accompanying drawing

TYPE SLR100 RATINGS

Type & Size	Rated Capacity (lb) (kg)		Rated Defl. (in) (mm)		Spring Constant (lb/in) (kg/mm)		Max. Horiz. Static G Rating	Spring Color
SLR-150	240	109	4.38	121	55	0.90	16.7	Purple
SLR-151	330	150	4.38	121	75	1.24	12.1	Brown
SLR-152	420	191	4.38	121	95	1.58	9.5	Orange
SLR-153	530	240	4.38	121	120	1.98	7.5	Green
SLR-154	680	308	4.38	121	155	2.55	4.7	Red
SLR-155	880	399	4.38	121	200	3.30	3.6	White
SLR-156	1120	508	4.38	121	255	4.20	4.5	Blue
SLR-157	1420	644	4.38	121	325	5.32	3.5	Black
SLR-158	1840	835	4.38	121	420	6.90	2.7	Yellow
SLR-159	2370	1075	4.38	121	540	8.88	3.0	Gray
SLR-160	3000	1361	4.38	121	695	11.25	1.7	Blue/Brown
SLR-161	3900	1769	4.38	121	895	14.62	1.3	Blue/Org
SLR-162	5100	2313	4.38	121	1155	19.12	1.6	Blue/Red
SLR-163	6500	2948	4.38	121	1485	24.36	1.2	Blue/Wh
SLR-164	8400	3810	4.38	121	1910	31.49	1.0	Blue/Silver
SLR-165	10800	4899	4.38	121	2455	40.49	1.0	Blue/Gray
SLR-166	13800	6260	4.38	121	3160	51.74	0.6	Blue/Grn
SLR-167	17800	8074	4.38	121	4065	66.73	0.5	Blue/Yellow
SLR-168	22900	10387	4.38	121	5235	85.84	0.6	Blue/Pink
SLR-169	30000	13608	4.38	121	6730	112.46	0.5	Blue/Tan

SPRING ONLY

Spring Size	Spring OD (in) (mm)		Free Height (in) (mm)	
150	5	127	83/8	213
151	5	127	81/2	216
152	5	127	83/8	213
153	5	127	83/8	213
154	6	152	87/8	225
155	6	152	91/8	232
156	6	152	97/8	251
157	6	152	10	254
158	6 3/4	171	103/8	264
159	6 3/4	171	111/8	283
160	7 3/4	197	107/8	276
161	7 3/4	197	113/8	289
162	8 3/4	222	111/2	292
163	8 3/4	222	131/4	337
164	8 3/4	222	133/8	340
165	9 3/4	248	141/8	359
166	10	254	153/8	391
167	11	279	157/8	403
168	11	279	17	432
169	11 5/8	295	18	457

All springs have additional travel to solid equal to 50% of the Rated Deflection.
Solid Spring Height = Free Height minus 1.5 times Rated Deflection.



SLR 5" (127mm) Deflection A Spring Series

SLR & SLRW are also manufactured with 5" Deflection springs.

Designs may vary from application to application.

The following tables provide ratings for a range of standard capacities.

Please check with the factory for designs and dimensions.

TYPE SLR100 RATINGS

Type & Size	Rated Capacity		Rated Defl.		Spring Constant		Spring Color
	(lb)	(kg)	(in)	(mm)	(lb/in)	(kg/mm)	
SLR-174	70	32	5.31	135	13	0.24	Purple
SLR-175	320	145	5.31	135	60	1.07	Brown
SLR-176	370	168	5.31	135	70	1.24	Orange
SLR-177	460	209	5.38	137	85	1.53	Green
SLR-178	560	254	5.38	137	105	1.85	Red
SLR-179	670	304	5.38	137	125	2.22	White
SLR-180	830	376	5.38	137	155	2.74	Blue
SLR-181	1000	454	5.38	137	185	3.31	Black
SLR-182	1240	562	5.37	136	230	4.13	Yellow
SLR-183	1500	680	5.37	136	280	5.00	Gray
SLR-184	1830	830	5.37	136	340	6.10	Pink
SLR-185	2230	1012	5.37	136	415	7.44	Silver
SLR-186	2710	1229	5.37	136	505	9.04	Tan
SLR-187	3300	1497	5.37	136	615	11.01	Blue/Orange
SLR-188	4100	1860	5.37	136	755	13.68	Blue/Red
SLR-189	4900	2223	5.37	136	915	16.35	Blue/White
SLR-190	6000	2722	5.37	136	1120	20.01	Blue/Yellow
SLR-191	7300	3311	5.37	136	1365	24.35	Blue/Silver
SLR-192	9000	4082	5.37	136	1670	30.01	Blue/Gray
SLR-193	11000	4990	5.37	136	2040	36.69	Blue/Tan
SLR-194	13300	6033	5.37	136	2482	44.36	Blue/Brown
SLR-195	16300	7394	5.37	136	3028	54.37	Blue/Pink
SLR-196	19800	8981	5.37	136	3694	66.04	Blue/Black
SLR-197	24200	10977	5.37	136	4506	80.71	Blue/Green
SLR-198	29000	13154	5.27	134	5500	98.16	Blue/Purple

SPRING ONLY

Spring Size	Spring OD		Free Height	
	(in)	(mm)	(in)	(mm)
174	6	152	97/8	251
175	6	152	101/16	256
176	6	152	10	254
177	6	152	101/2	267
178	63/4	171	103/4	273
179	63/4	171	111/16	281
180	63/4	171	113/8	289
181	63/4	171	111/8	283
182	63/4	171	113/8	289
183	73/4	197	127/16	316
184	73/4	197	117/8	302
185	73/4	197	12	305
186	73/4	197	123/4	324
187	83/4	222	123/4	324
188	83/4	222	133/8	340
189	91/16	232	137/16	341
190	91/2	241	145/8	371
191	91/2	241	153/16	386
192	101/4	260	155/8	397
193	101/4	260	16	406
194	11	279	161/4	413
195	113/8	289	171/8	435
196	115/8	295	18	457
197	13	330	191/2	495
198	13	330	191/2	495

All springs have additional travel to solid equal to 50% of the Rated Deflection.

Solid Spring Height = Free Height minus 1.5 times Rated Deflection.