

R, RL, RC, RCL- Neoprene Machine Leveling Mounts and Glides A Small Handy Leveling Mount Series

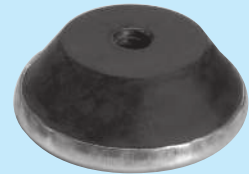
Mountings can be used with or without plated steel glide cups or leveling bolts. Furnished with 3/8-16 or 1/2-13 tapped holes or studs to accommodate large or small holes in the machinery leg.

- Neoprene resists oil, oxygen and ozone.
- Upper plate provides uniform mounting loading.
- May be bolted directly without leveling for economy.
- Without glide cup, friction keeps equipment in place
- With glide cup, equipment can slide on vinyl floors or short fibre carpet.
- Purchase with leveling stud (L) when leveling is required.
- A great isolator for small high speed equipment.

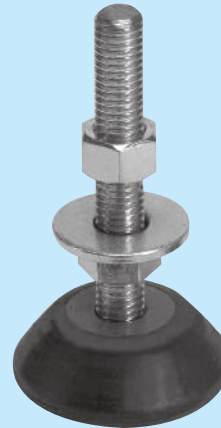
R- Tapped Mount Only



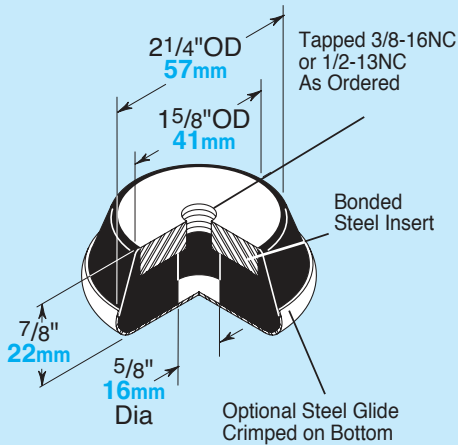
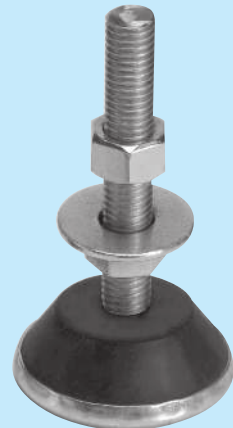
RC- Tapped Mount with Glide Cup



RL- Mount with Leveling Stud, Nut and Washer



RCL- Mount with Glide Cup and Leveling Stud



All Studs 2 1/2" 65mm Long Above Mount

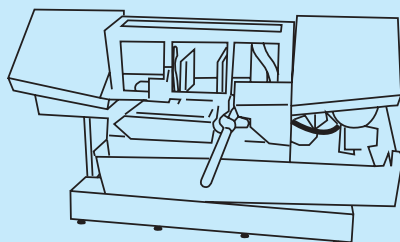
TYPE R, RL, RC & RCL LOAD RATINGS

Type & Size	Max Load (lbs) (kgs)	Color Code	Tapped Hole or Stud
Without Steel Glide Cup			
R-4 or RL-4	150 68	Green	3/8-16
R-4 or RL-4	250 113	Red	3/8-16
R-4 or RL-4	400 181	White	3/8-16
R-5 or RL-5	150 68	Green	1/2-13
R-5 or RL-5	250 113	Red	1/2-13
R-5 or RL-5	400 181	White	1/2-13
R-5 or RL-5	600 272	Yellow	1/2-13
R-5 or RL-5	1000 454	Blue	1/2-13

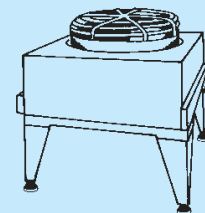
Type & Size	Max Load (lbs) (kgs)	Color Code	Tapped Hole or Stud
With Steel Glide Cup			
RC-4 or RCL-4	150 68	Green	3/8-16
RC-4 or RCL-4	250 113	Red	3/8-16
RC-4 or RCL-4	400 181	White	3/8-16
RC-5 or RCL-5	150 68	Green	1/2-13
RC-5 or RCL-5	250 113	Red	1/2-13
RC-5 or RCL-5	400 181	White	1/2-13
RC-5 or RCL-5	600 272	Yellow	1/2-13
RC-5 or RCL-5	1000 454	Blue	1/2-13



CUT OFF MACHINES



BANDSAW



CONDENSING UNIT