



MASON INDUSTRIES, Inc.

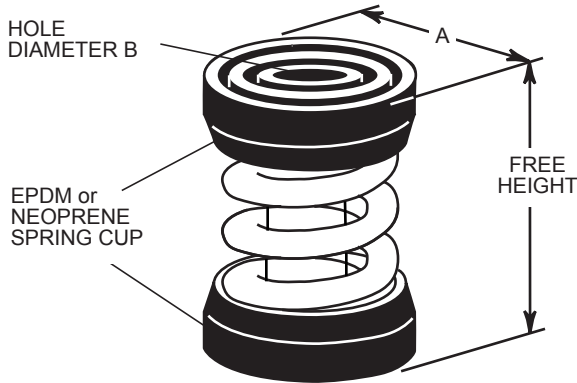
Manufacturers of Vibration Control Products

350 Rabro Drive 2101 W. Crescent Ave., Suite D
 Hauppauge, NY 11788 Anaheim, CA 92801
 631/348-0282 714/535-2727
 FAX 631/348-0279 FAX 714/535-5738
 Info@Mason-Ind.com Info@MasonAnaheim.com
 www.Mason-Ind.com

JOB NAME _____
 CUSTOMER _____
 CUSTOMER P.O. _____
 MASON M.I. _____
 DWG. NO. _____

IMF-D

25mm
 Deflection
 Damped Spring
 Mounts



TYPICAL IMF EQUIPMENT
 INSTALLATION ARRANGEMENTS

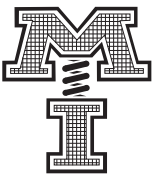
TYPE IMF RATINGS

Size	Rated Capacity (Kg)	Rated Defl (mm)	Spring Constant (Kg/mm)	Spring Color/Stripe
IMF-A-12	6	19	0.3	Red
IMF-A-18	8	20	0.4	Gray
IMF-A-25	11	20	0.5	Orange
IMF-A-45	20	41	0.5	Blue
IMF-A-75	34	38	0.9	Orange
IMF-A-125	57	34	1.7	Brown
IMF-A-200	91	29	3.1	Black
IMF-A-310	141	25	5.5	Yellow
IMF-A-400	181	25	7.1	Green
IMF-A-510	231	25	9.1	Red
IMF-A-625	283	25	11.2	White

TYPE IMF DIMENSIONS (mm)

Size	Free Height	A (Dia.)	B (Dia.)	SPRING DATA			
				Spring OD	Free HT.	Ratio Kx/Ky	Ratio OD/OH
A-12 - 25	57	57	11	45	48	1.40-1.45	1.55-1.67
A-41 - 95	60	57	11	45	75	0.70-0.90	0.88-1.25
A-510	89	57	11	45	79	0.60	0.82
A-625	96	57	11	45	85	0.50	0.74

All springs have additional travel to solid equal to 50% of Rated Deflection.
 Solid Spring Height = Free Height minus 1.5 times Rated Deflection.



MASON INDUSTRIES, Inc.

Manufacturers of Vibration Control Products

350 Rabro Drive 2101 W. Crescent Ave., Suite D
 Hauppauge, NY 11788 Anaheim, CA 92801
 631/348-0282 714/535-2727
 FAX 631/348-0279 FAX 714/535-5738
 Info@Mason-Ind.com Info@MasonAnaheim.com
 www.Mason-Ind.com

JOB NAME _____

CUSTOMER _____

CUSTOMER P.O. _____

MASON M.I. _____

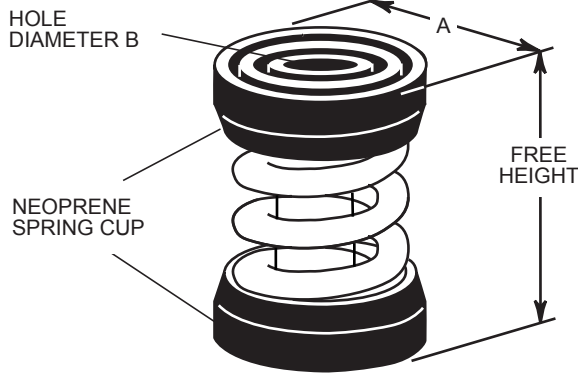
DWG. NO. _____

IMF-D

50mm Deflection

B, B2 Series

Damped Spring
Mounts



TYPE IMF RATINGS

Size	Rated Capacity (Kg)	Rated Defl (mm)	Spring Constant (Kg/mm)	Spring Color/Stripe
IMF-B-20	9	61	0.2	Tan
IMF-B-26	12	55	0.2	White/Blue
IMF-B-35	16	56	0.3	Purple
IMF-B-50	23	56	0.4	White/Red
IMF-B-65	29	53	0.5	Brown
IMF-B-85	39	53	0.7	White/Black
IMF-B-115	52	50	1.0	Silver
IMF-B-150	68	50	1.4	Orange
IMF-B2-210	95	53	1.8	Silver
IMF-B2-290	131	50	2.6	Blue
IMF-B2-450 ^a	204	50	4.0	Tan
IMF-B2-680 ^a	308	50	6.0	Gray

TYPE IMF DIMENSIONS (mm)

Size	Free Height	A (Dia.)	B (Dia.)
IMF-B	125	70	22
IMF-B2	140	70	22