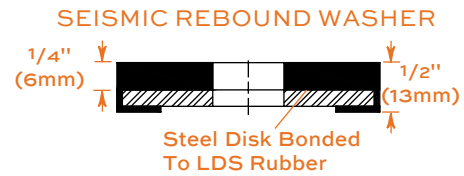
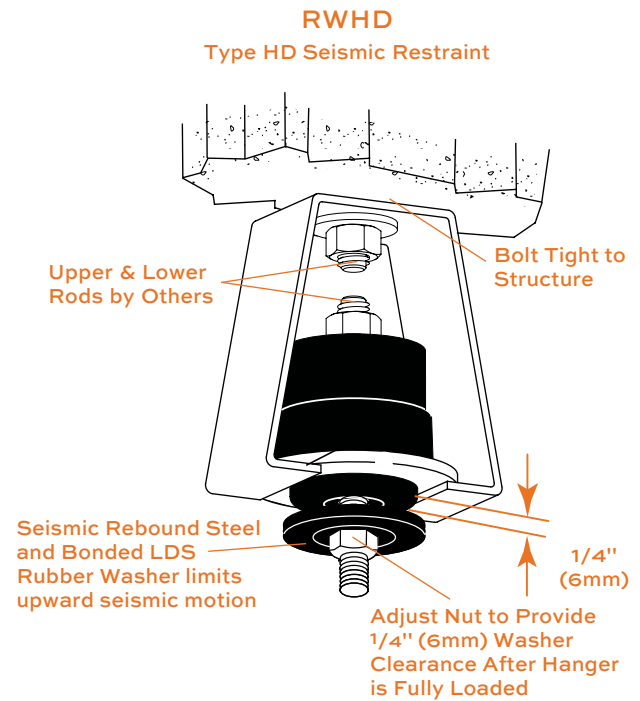
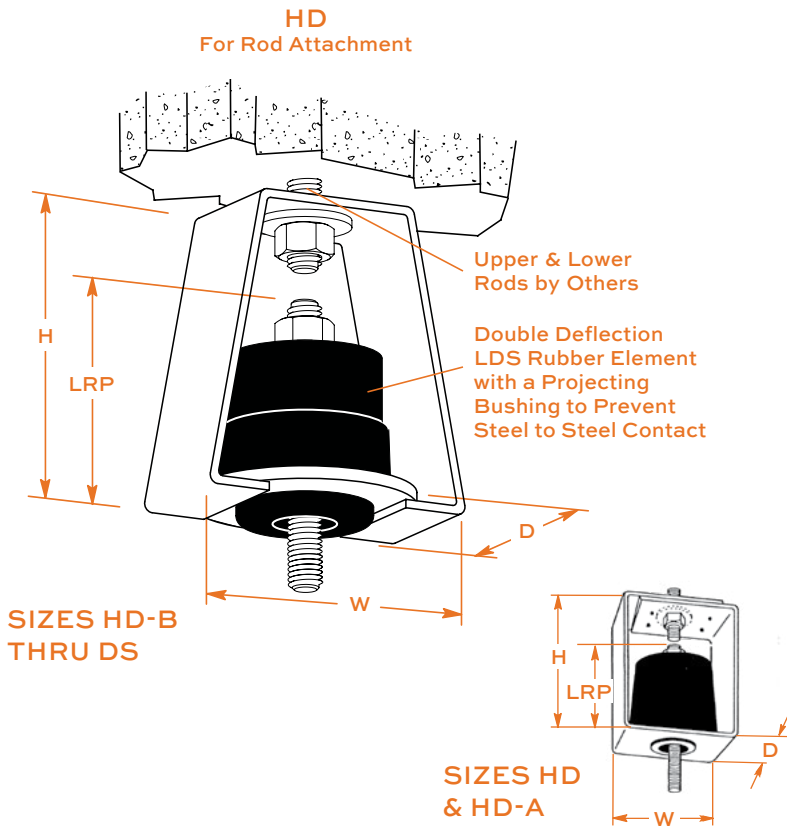


## Double Deflection LDS Hangers



### TYPE HD & RWHD DIMENSIONS

Type	Size (Color Mark)	D		H		W		Lower Rod Penetration LRP		Max. Rod Dia. MRD	
		(in)	(mm)	(in)	(mm)	(in)	(mm)	(in)	(mm)	(in)	(mm)
HD-	Green & White A	13/4	44	21/4	57	17/8	48	11/4	32	3/8	10
		2	51	23/4	70	21/4	57	21/4	57	1/2	13
RWHD-	B & BS	31/4	83	41/2	114	41/4	108	3	76	3/4	19
	CS	31/4	83	51/4	127	41/4	108	31/4	83	7/8	22
	DS	4	102	61/4	159	43/4	121	31/4	83	7/8	22

### TYPE HD & RWHD RATINGS

Type	Size (Color Mark)	Duro-meter	Rated Capacity		Rated Defl. <sup>†</sup>		Vertical G Ratings	
			(lb)	(kg)	(in)	(mm)	Tens.	Comp.
HD- RWHD-	Green	40	Up to 35	Up to 16	0.20	5	10.0 <sup>+</sup>	10.0 <sup>+</sup>
	White	60	35 - 75	16 - 34	0.20	5	10.0 <sup>+</sup>	6.3
	A-Black	30	Up to 45	Up to 20	0.35	9	10.0 <sup>+</sup>	10.0 <sup>+</sup>
	A-Green	40	30 - 75	14 - 34	0.35	9	10.0 <sup>+</sup>	8.5
	A-Red	50	60 - 125	27 - 57	0.35	9	10.0 <sup>+</sup>	5.1
	B-Red	50	Up to 235	Up to 107	0.40	10	10.0 <sup>+</sup>	10.0 <sup>+</sup>
	B-White	60	180 - 380	82 - 172	0.40	10	10.0 <sup>+</sup>	6.7
	B-Yellow	70	320 - 650	145 - 295	0.40	10	10.0 <sup>+</sup>	3.9
	BS-Blue	70	500 - 1000	227 - 454	0.40	10	10.0 <sup>+</sup>	2.3
	CS-Blue	70	1000 - 2100	454 - 953	0.40	10	9.0	1.2
DS-Blue	70	2100 - 4200	953 - 1905	0.40	10	5.0	1.0	

<sup>†</sup>Includes double deflection LDS element.

Hanger elements have straight line deflection curves.

<sup>†</sup>10.0 indicates a rating of 10 Gs or greater.