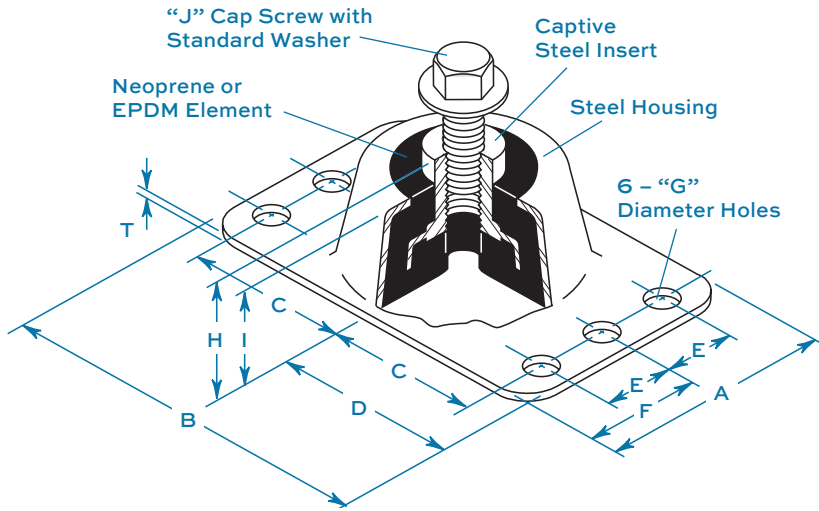


# NEOPRENE MOUNTINGS with CAPTIVE STEEL INSERTS

for SECURING EQUIPMENT to WALLS, FLOORS or CEILINGS  
in SEISMIC, MOBILE or STATIONARY INSTALLATIONS

**RAA,  
RBA, RCA  
& RDA**

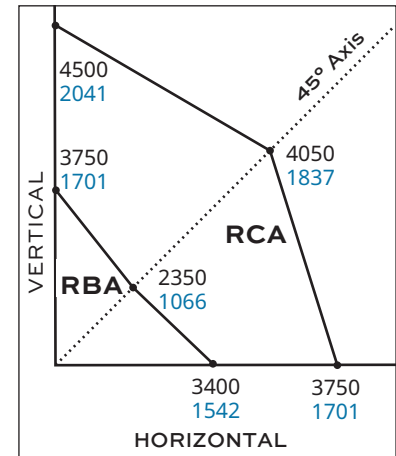


Horizontal, Vertical and 45° Plotted Ratings are California OSHPD approved values having the OSHPD Anchorage Preapproval Number OPA-0200. Testing and calculations were performed to meet OSHPD criteria.

**To use approved OSHPD rated load curves:**

1. Calculate Vertical and Horizontal Forces on mounting including translations and overturning moments.
2. Plot Horizontal Load vs Vertical Load. The point must fall within the area below the OSHPD curve.

**OSHPD OPA-0200  
RATED LOAD CURVES (LB KG)**

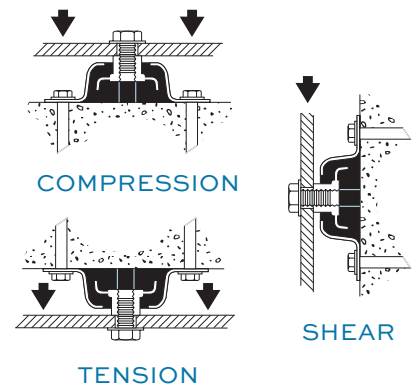


**TYPE RAA, RBA, RCA, RDA DIMENSIONS**

Type	A (in) (mm)		B (in) (mm)		C (in) (mm)		D (in) (mm)		E (in) (mm)		F (in) (mm)		G (in) (mm)		H (in) (mm)		I (in) (mm)		J (in)	T (in) (mm)
RAA	25/8	67	41/4	108	111/16	43	21/8	54	7/8	22	15/16	33	7/16	11	11/2	38	11/8	29	3/8 - 16UNC x 1	3/32 2
RBA	3	76	43/4	121	115/16	49	23/8	60	1	25	11/2	38	7/16	11	17/8	48	11/2	38	1/2 - 13UNC x 11/4	3/32 2
RCA	33/4	95	61/4	159	21/2	64	31/8	79	11/4	32	17/8	48	9/16	14	17/8	48	11/2	38	5/8 - 11UNC x 11/4	3/32 2
RDA	5	127	8	203	31/4	83	4	102	13/4	44	21/2	64	3/4	19	23/8	60	17/8	48	7/8 - 9UNC x 11/4	1/8 3

**TYPE RAA, RBA, RCA, RDA RATINGS**

Type	Size (Color Mark)	Duro-meter	COMPRESSION		TENSION		SHEAR		Maximum Horizontal Static G Rating*
			Rated Capacity (lb) (kg)	Rated Defl. (in) (mm)	Rated Capacity (lb) (kg)	Rated Defl. (in) (mm)	Rated Capacity (lb) (kg)	Rated Defl. (in) (mm)	
RAA-	Black	30	200	91	150	68	150	68	7.0
	Green	45	300	136	200	91	200	91	5.0
	White	60	500	227	400	181	400	181	2.5
RBA-	Black	30	250	113	200	91	200	90	13.6
	Green	45	525	238	420	191	420	191	6.5
	White	60	1000	454	800	363	800	363	3.4
RCA-	Green	40	1400	635	1000	454	400	181	2.7
	Red	50	2100	953	1500	680	600	272	1.8
	White	60	3500	1588	2500	1134	1000	454	1.1
RDA-	Green	40	2800	1270	2000	910	900	410	3.3
	Red	50	4200	1910	2900	1320	1300	590	2.2
	White	60	7100	3230	4200	1910	1800	820	1.3



All Rated Capacities are based on proper neoprene loadings without metal to metal contact. Seismic Max. G Ratings are based on metal failure under static seismic loadings as defined in the building codes.  
\*Horizontal G Ratings are for quick reference only - Use OSHPD Rated Load Curves.

**SPECIFICATION**

Captive neoprene mountings shall consist of a steel housing with a captive steel insert embedded in neoprene to prevent contact between the housing and the central threaded insert. Bonded assemblies without mechanical interlocks are not acceptable.

All mountings shall have minimum 1.0 horizontal G ratings and anchorage preapproval "OPA" numbers from the Office of Statewide Health Planning and Development (OSHPD) in the state of California, attesting to the maximum horizontal and vertical load ratings. All mountings shall have bolts for rigid attachment to the equipment and

adequate base bolting provision. Mountings shall have a minimum static deflection of 0.15" (4 mm).

In seismic zones, submittals shall include calculations showing that the intersection of the horizontal and vertical seismic loads fall below the OSHPD approved curves. Anchorages must be designed to meet the applicable building codes. All calculations must be signed by a professional engineer. Mountings shall be Type **RAA, RBA, RCA** and **RDA** as manufactured by Mason Industries, Inc.

